

HINGE  
Series 95











**BISARAN** 

## Hinge Series 95 / 955 - 956



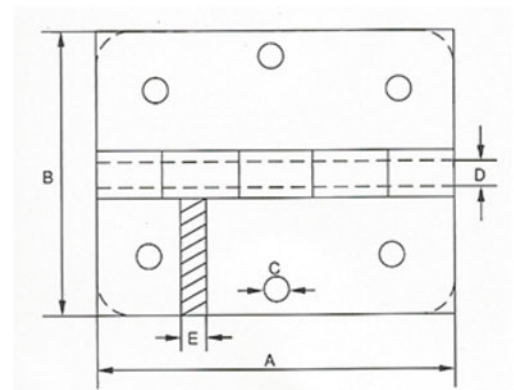
955 BCV

**Finishes:** 955 (Square Edge) - 956 (Round Edge)

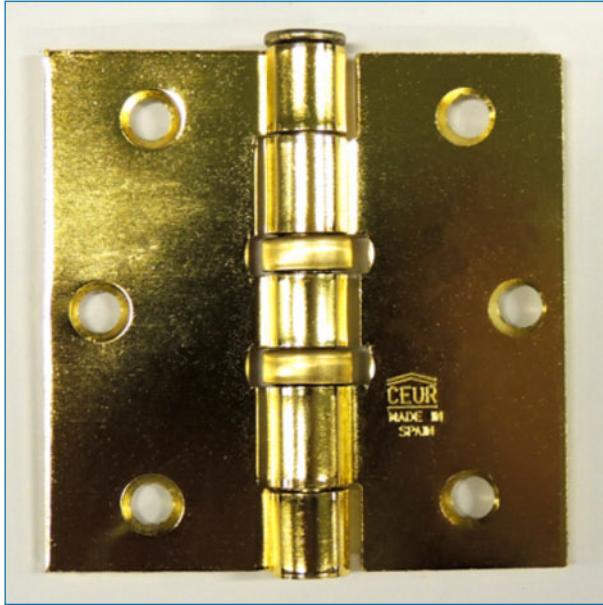
	LO	GOLD COATED
	LD	GOLD LACQUERED
	LC	CHROME LACQUERED
	CM	MATT CHROME
	NM	MATT NICKEL
	LI	STAINLESS COATED
	BVC	POLISHED BRONZE
	LT	BRASS
	PV	POWDERED
	ZN	ZINC

### DIMENSION TABLES AND DRAWINGS

MOD. 955-956	A	B	C	D	E
3" x 3"	3" 76	3" 76	6	6	2
3 1/2" x 3 1/2"	3 1/2" 89	3 1/2" 89	6	7	2.30
4" x 4"	4" 101	4" 101	6.75	7	2.40



## Hinge Series 95 / 957 - 958



Bisagra 957 Lacado Oro

**Finishes:** 957 (Square Edge) - 958 (Round Edge) with bearings

	LO	GOLD COATED
	LD	GOLD LACQUERED
	LC	CHROME LACQUERED
	BV2	BRONZE
	LN	NICKEL COATED
	ZN	ZINC

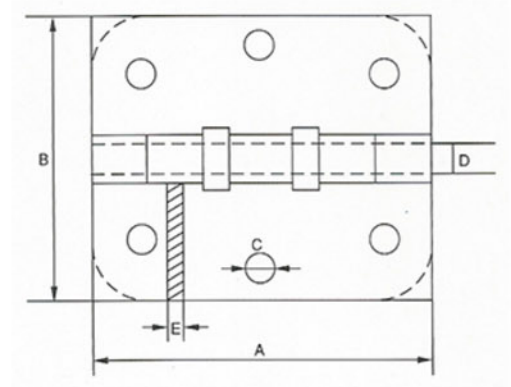
### Types of Finish



Ball Finish, Long Finish and American Shaft

### DIMENSION TABLES AND DRAWINGS

MOD. 957 -958	A	B	C	D	E
3" x 3"	3" 76	3" 76	6	7	2
3 1/2" x 3 1/2"	3 1/2" 89	3 1/2" 89	6	7	2.30





Polígono Industrial Pagatza  
Pabellón 3 Fase 2, nº 20  
20690 ELGETA (Gipuzkoa)

T: +34 943 78 82 32. +34 943 76 80 50  
F: +34 943 78 91 29

e-mail: [bisaran@bisaran.es](mailto:bisaran@bisaran.es)  
[www.bisaran.es](http://www.bisaran.es)