

Lift-off Hinge  
SERIES 2000








**BISARAN** 

## Lift-off Hinge Series 2000 / 2000



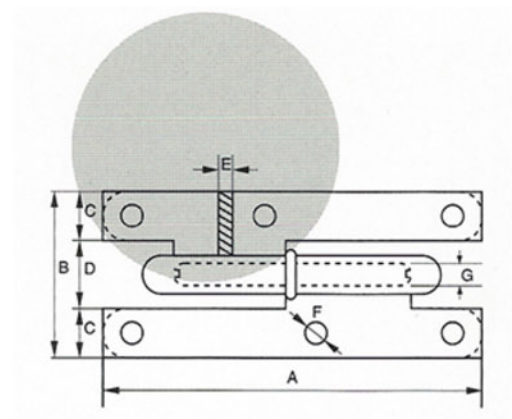
LIFT-OFF HINGE 2000-9,5 MATT CHROME

### Finishes: 2000

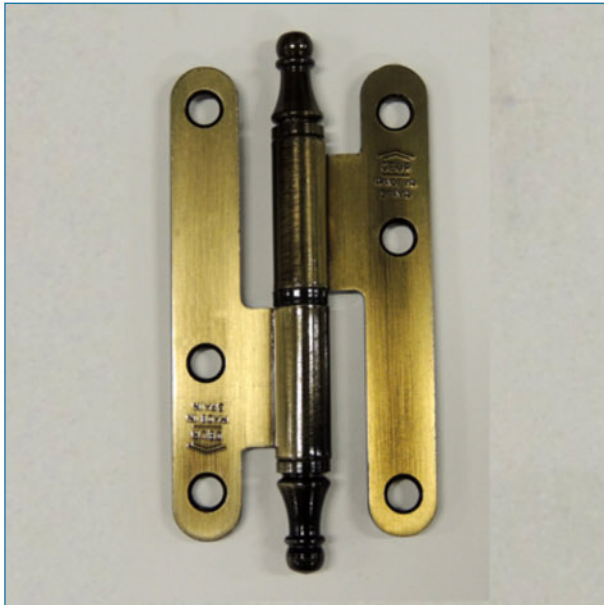
	LD	GOLD LACQUERED
	LC	CHROME LACQUERED
	CM	MATT CHROME
	NM	MATT NICKEL
	LI	STAINLESS COATED
	BVC	POLISHED BRONZE
	BV2	BRONZE

### DIMENSION TABLES AND DRAWINGS

MOD. 2000	A	B	C	D	E	F	G
8	80	45	12	20	1.8	5	5.1
9.5	95	52	14	24	2	5.25	6.5
11	110	55	14	27	2	5.25	6.5
14	150	87	30	29	3.00	6	6



## Lift-off Hinge Series 2000 / 2001



LIFT-OFF HINGE 2001-9,5 BVC

### Finishes: 2001

	LO	GOLD COATED
	LD	GOLD LACQUERED
	LC	CHROME LACQUERED
	LI	STAINLESS COATED
	BVC	POLISHED BRONZE
	BV2	BRONZE

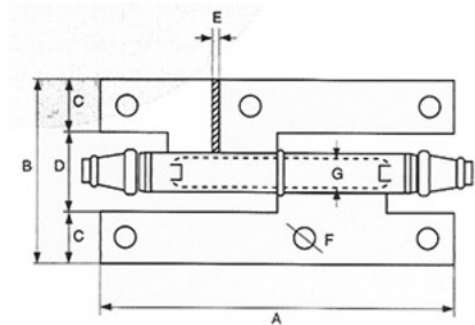
### Types of Finish



LF - Long Finish

### DIMENSION TABLES AND DRAWINGS

MOD. 2001	A	B	C	D	E	F	G
9.5	95	52	14	24	2	5.25	6.5



## Lift-off Hinge Series 2000 / 2002



MATT CHROME LIFT-OFF HINGE 2000-9.5

### Finishes: 2002

	LO	GOLD COATED
	LD	GOLD LACQUERED
	LC	CHROME LACQUERED
	CM	MATT CHROME
	NM	MATT NICKEL
	LN	NICKEL COATED
	BL/NG	WHITE/BLACK

### Types of Finish



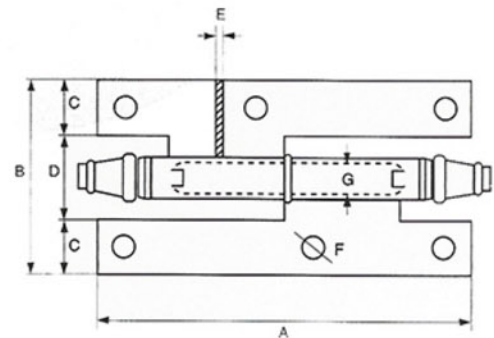
SF - Short Finish



SF - Short Finish

### DIMENSION TABLES AND DRAWINGS

MOD. 2002	A	B	C	D	E	F	G
9.5	95	52	14	24	2	5.25	6.5





Polígono Industrial Pagatza  
Pabellón 3 Fase 2, nº 20  
20690 ELGETA (Gipuzkoa)

T: +34 943 78 82 32. +34 943 76 80 50  
F: +34 943 78 91 29

e-mail: [bisaran@bisaran.es](mailto:bisaran@bisaran.es)  
[www.bisaran.es](http://www.bisaran.es)