



Lift-off Hinge
SERIES 400

BISARAN 

Lift-off Hinge Series 400 / 402



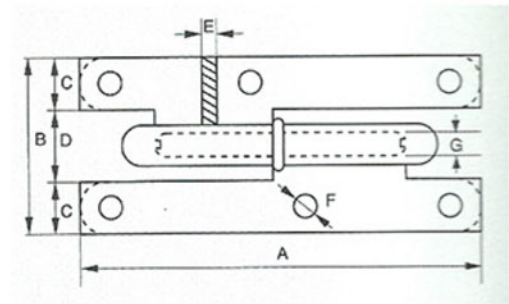
BLACK LIFT-OFF HINGE 402 PR

Finishes: 402

	LT	BRASS
	PV	POWDERED
	ZN	ZINC

DIMENSION TABLES AND DRAWINGS

MOD. 402	A	B	C	D	E	F	G
8	80	45	12	20	1.8	5	5.1
9.5	95	52	14	24	2	5.25	6.5
11	110	55	14	27	2	5.25	6.5
14	140	55	16	25	2.25	6	7
14	150	87	30	29	3.00	6	8



Lift-off Hinge Series 400 / 403



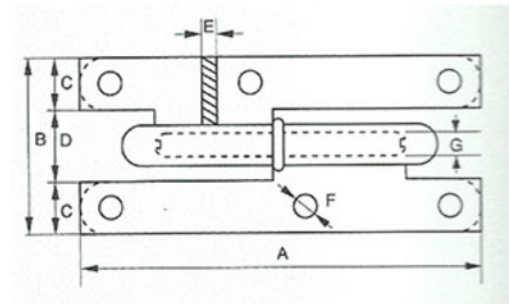
BLACK LIFT-OFF HINGE 403 PR

Finishes: 403

	LT	BRASS
	PV	POWDERED
	ZN	ZINC

DIMENSION TABLES AND DRAWINGS

MOD. 402	A	B	C	D	E	F	G
8	80	45	12	20	1.8	5	5.1
9.5	95	52	14	24	2	5.25	6.5
11	110	55	14	27	2	5.25	6.5
14	140	55	16	25	2.25	6	7
14	150	87	30	29	3.00	6	8




Lift-off Hinge Series 400 / 404



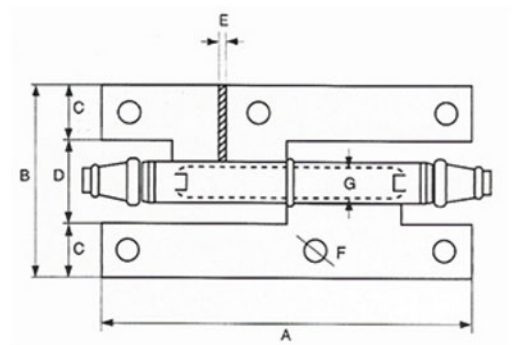
LF BLACK LIFT-OFF HINGE 404-9.5

Finishes: 404

-  LT BRASS
-  NG Black

DIMENSION TABLES AND DRAWINGS

MOD. 404 RL	A	B	C	D	E	F	G
9.5	95	52	14	24	2	4.5	6.5











Lift-off Hinge Series 400 / 405



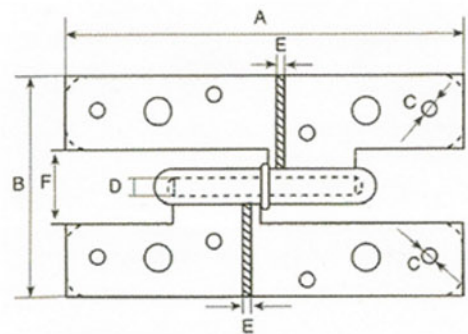
MATT CHROME LIFT-OFF HINGE 405 PC

Finishes: 405

	LO	GOLD COATED
	LD	GOLD LACQUERED
	LC	CHROME LACQUERED
	CM	MATT CHROME
	NM	MATT NICKEL
	LI	STAINLESS COATED
	BVC	POLISHED BRONZE
	BL/NG	WHITE/BLACK

DIMENSION TABLES AND DRAWINGS

MOD. 405	A	B	C	D	E	F
14	150	87	55	8	3.00	29





Polígono Industrial Pagatza
Pabellón 3 Fase 2, nº 20
20690 ELGETA (Gipuzkoa)

T: +34 943 78 82 32. +34 943 76 80 50
F: +34 943 78 91 29

e-mail: bisaran@bisaran.es
www.bisaran.es