

**BOLTS**  
and **LOCKS**

**BISARAN** 

## Bolts and Locks / Bolt 384

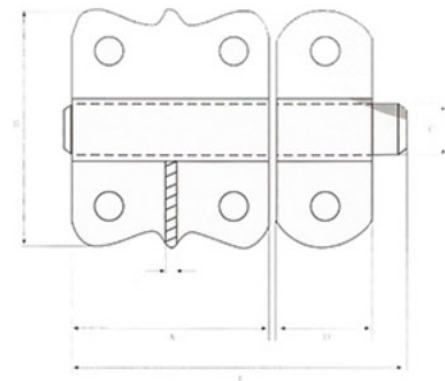


### Finishes: 384

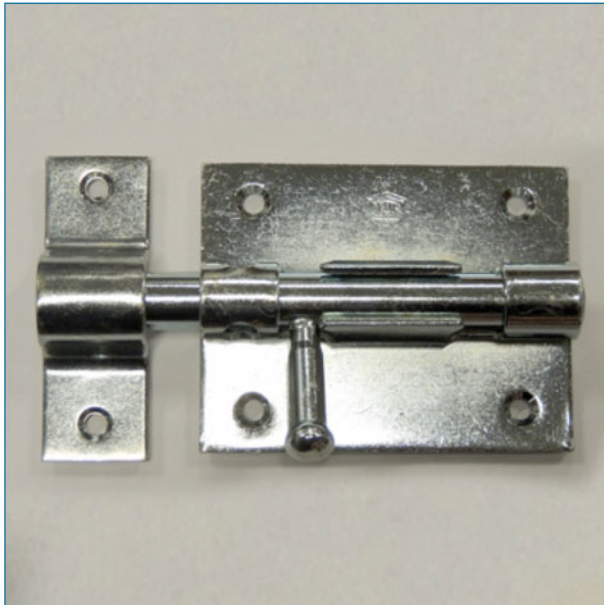
 ZN ZINC

### DIMENSION TABLES AND DRAWINGS

MOD. 384	A	B	C	D	E	F
30	30	35	7.5	15	1	46
35	35	37	7.5	15	1	56
40	40	40	7.5	15	1	64
50	50	45	9	16	1.1	77
60	60	47	9	16	1.2	92



## Bolts and Locks / Bolt 455

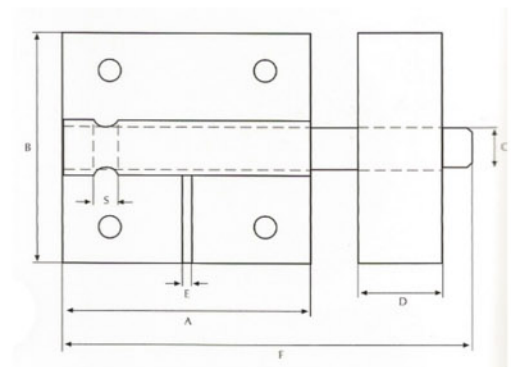


### Finishes: 455

 ZN ZINC

### DIMENSION TABLES AND DRAWINGS

MOD. 455	A	B	C	D	E	F
70	70	62	13	24	2	95
85	85	66	13	24	2	114
100	100	73	13	24	2	134
120	120	66	13	30	2	173



## Bolts and Locks / Lock 475

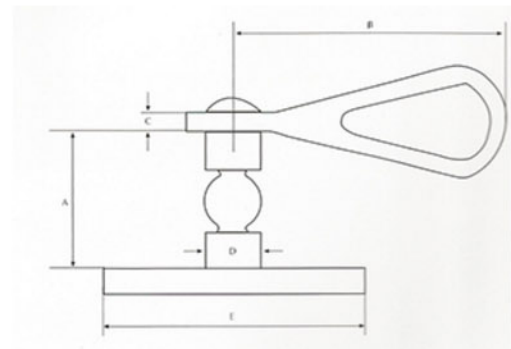


### Finishes: 475

	LT	BRASS
	PV	POWDERED
	ZN	ZINC

### DIMENSION TABLES AND DRAWINGS

MOD. 475	A	B	C	D	E
1/2"	12.5	48	2.8	10	47
3/4"	85	48	2.8	10	47
1"	100	48	2.8	10	47
1 1/4"	120	48	2.8	10	47





Polígono Industrial Pagatza  
Pabellón 3 Fase 2, nº 20  
20690 ELGETA (Gipuzkoa)

T: +34 943 78 82 32. +34 943 76 80 50  
F: +34 943 78 91 29

e-mail: [bisaran@bisaran.es](mailto:bisaran@bisaran.es)  
[www.bisaran.es](http://www.bisaran.es)