



Lift-off Hinge  
SERIES 22

**BISARAN** 

## Lift-off Hinge Series 22 / 224



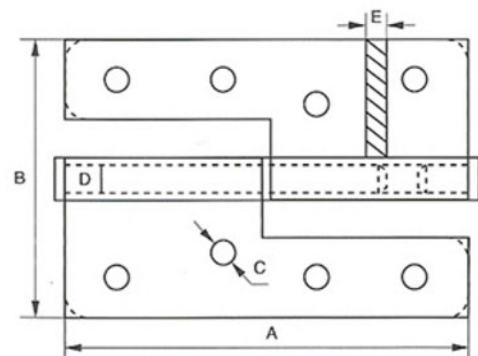
HINGE 224 PR STAINLESS 304

### Finishes: 224

 INOX STAINLESS

### DIMENSION TABLES AND DRAWINGS

MOD. 224	A	B	C	D	E
	100	88	6	9.5	3



## Lift-off Hinge Series 22 / 229



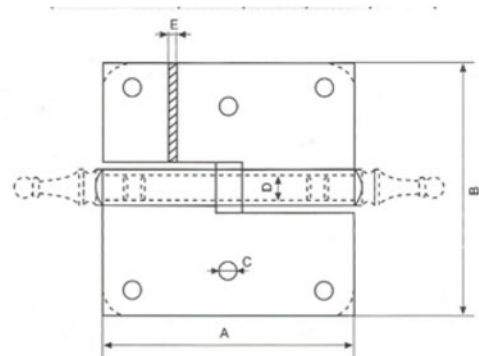
STAINLESS COATED LIFT-OFF HINGE 229 PR

### Finishes: 229

	LD	GOLD LACQUERED
	LC	CHROME LACQUERED
	NM	MATT NICKEL
	LI	STAINLESS COATED

### DIMENSION TABLES AND DRAWINGS

MOD.	A	B	C	D	E
229	80	80	6	8	3
229	80	80	6	8.5	2.5








## Lift-off Hinge Series 22 / 2250



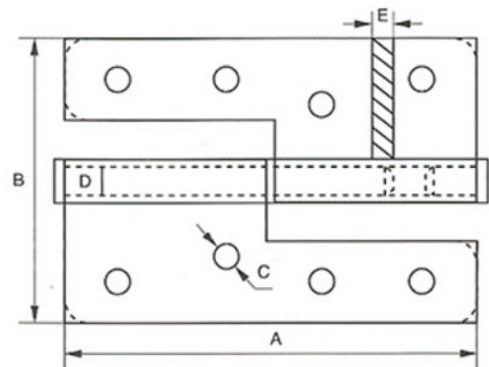
BISAGRA 2250 PR STAINLESS COATED

### Finishes: 2250

	LD	GOLD LACQUERED
	LC	CHROME LACQUERED
	CM	MATT CHROME
	NM	MATT NICKEL
	LI	STAINLESS COATED
	BVC	POLISHED BRONZE
	BV2	BRONZE

### DIMENSION TABLES AND DRAWINGS

MOD	A	B	C	D	E
2250	100	88	6	9.5	3





Polígono Industrial Pagatza  
Pabellón 3 Fase 2, nº 20  
20690 ELGETA (Gipuzkoa)

T: +34 943 78 82 32. +34 943 76 80 50  
F: +34 943 78 91 29

e-mail: [bisaran@bisaran.es](mailto:bisaran@bisaran.es)  
[www.bisaran.es](http://www.bisaran.es)